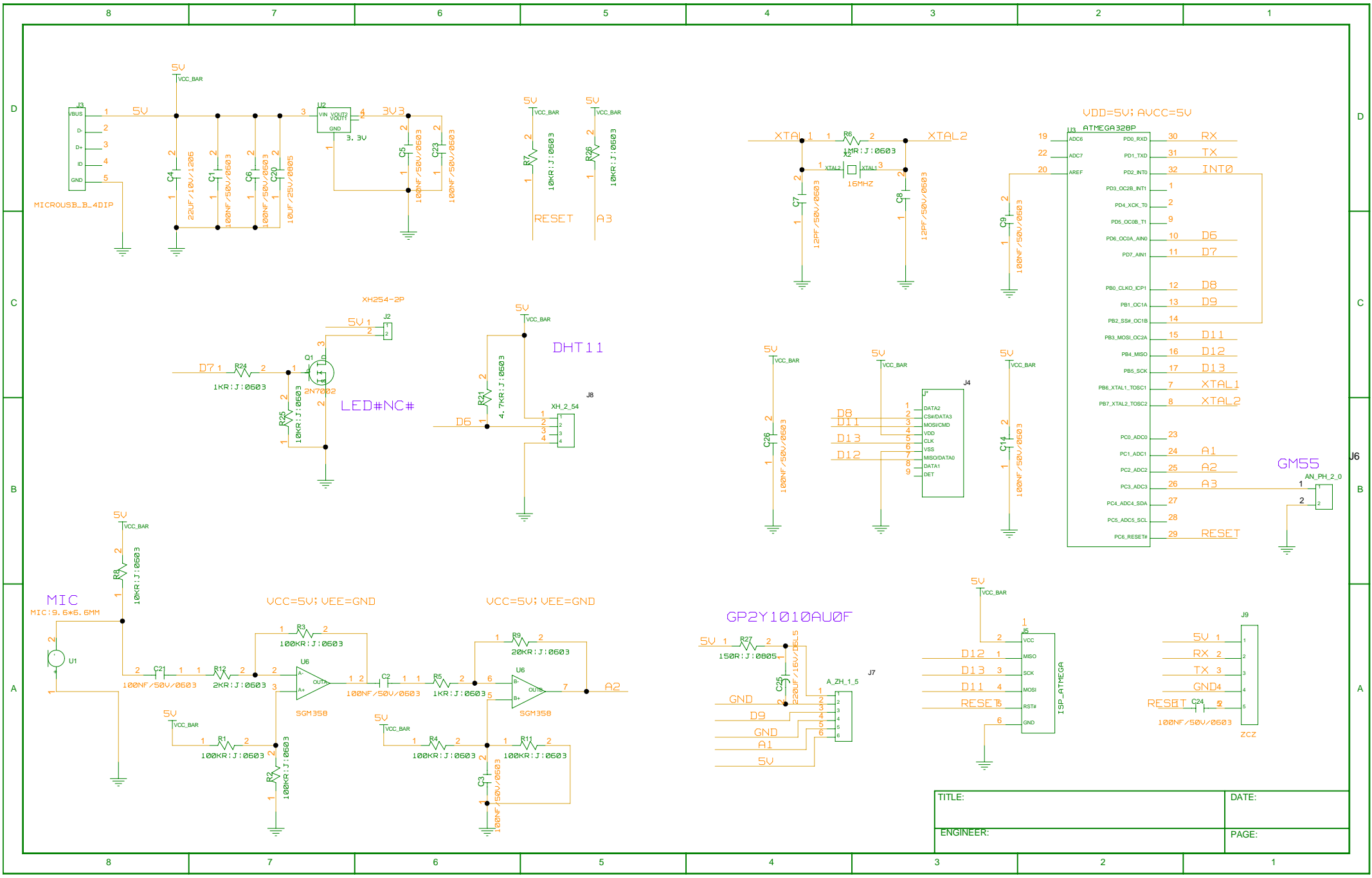


TITLE:	DATE:
ENGINEER:	PAGE:



UDD=5V; AVCC=5V

19	ADC6	PD0_RXD	30	RX
22	ADC7	PD1_TXD	31	TX
20	AREF	PD2_INT0	32	INT0
		PD3_OC2B_INT1	1	
		PD4_XCK_T0	2	
		PD5_OC0B_T1	9	
		PD6_OC0A_AIN0	10	D6
		PD7_AIN1	11	D7
		PB0_CLK0_ICP1	12	D8
		PB1_OC1A	13	D9
		PB2_SS#_OC1B	14	
		PB3_MOSI_OC2A	15	D11
		PB4_MISO	16	D12
		PB5_SCK	17	D13
		PB6_XTAL1_TOSC1	7	XTAL1
		PB7_XTAL2_TOSC2	8	XTAL2
		PC0_ADC0	23	
		PC1_ADC1	24	A1
		PC2_ADC2	25	A2
		PC3_ADC3	26	A3
		PC4_ADC4_SDA	27	
		PC5_ADC5_SCL	28	
		PC6_RESET#	29	RESET

TITLE:	DATE:
ENGINEER:	PAGE: