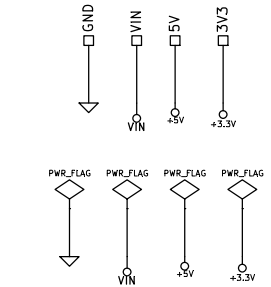
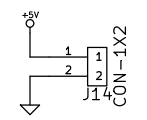


DIMM204

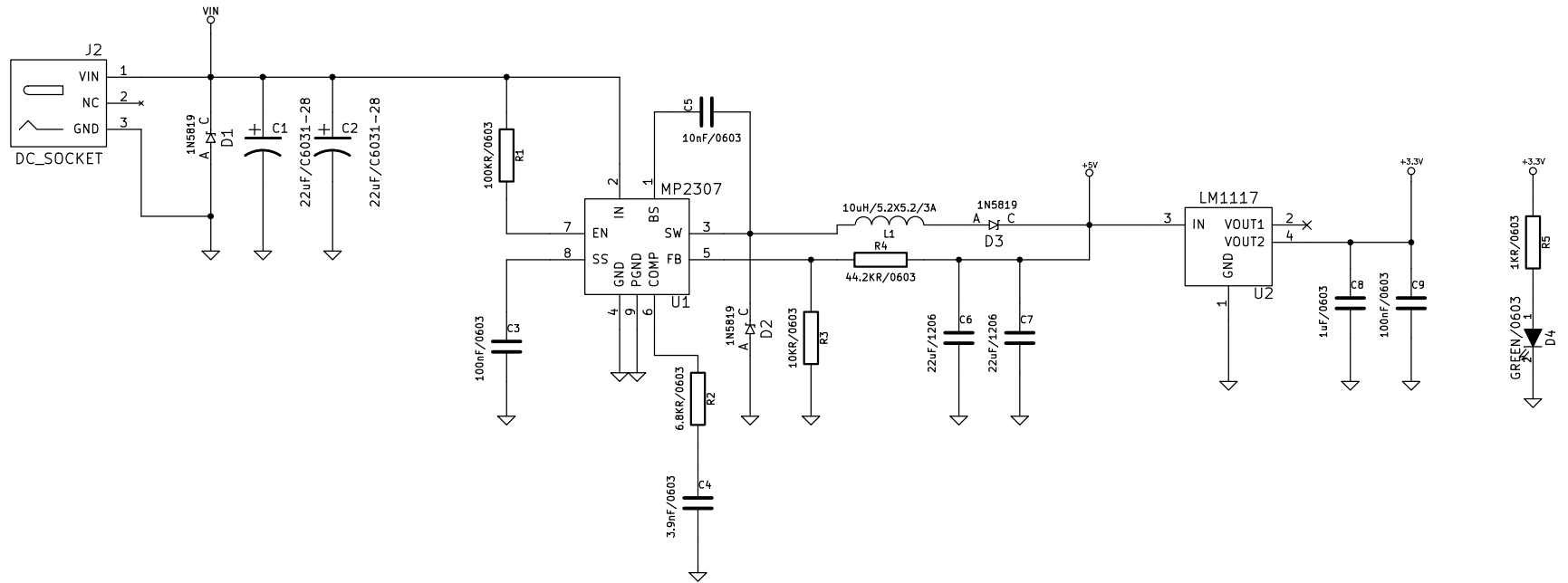
File: core.sch		Date: 19 sep 2014	
Sheet: /core/		Rev:	
Title:	KiCad E.D.A. eschema (2013-07-07 BZR 4022)-stable		Id: 2/11



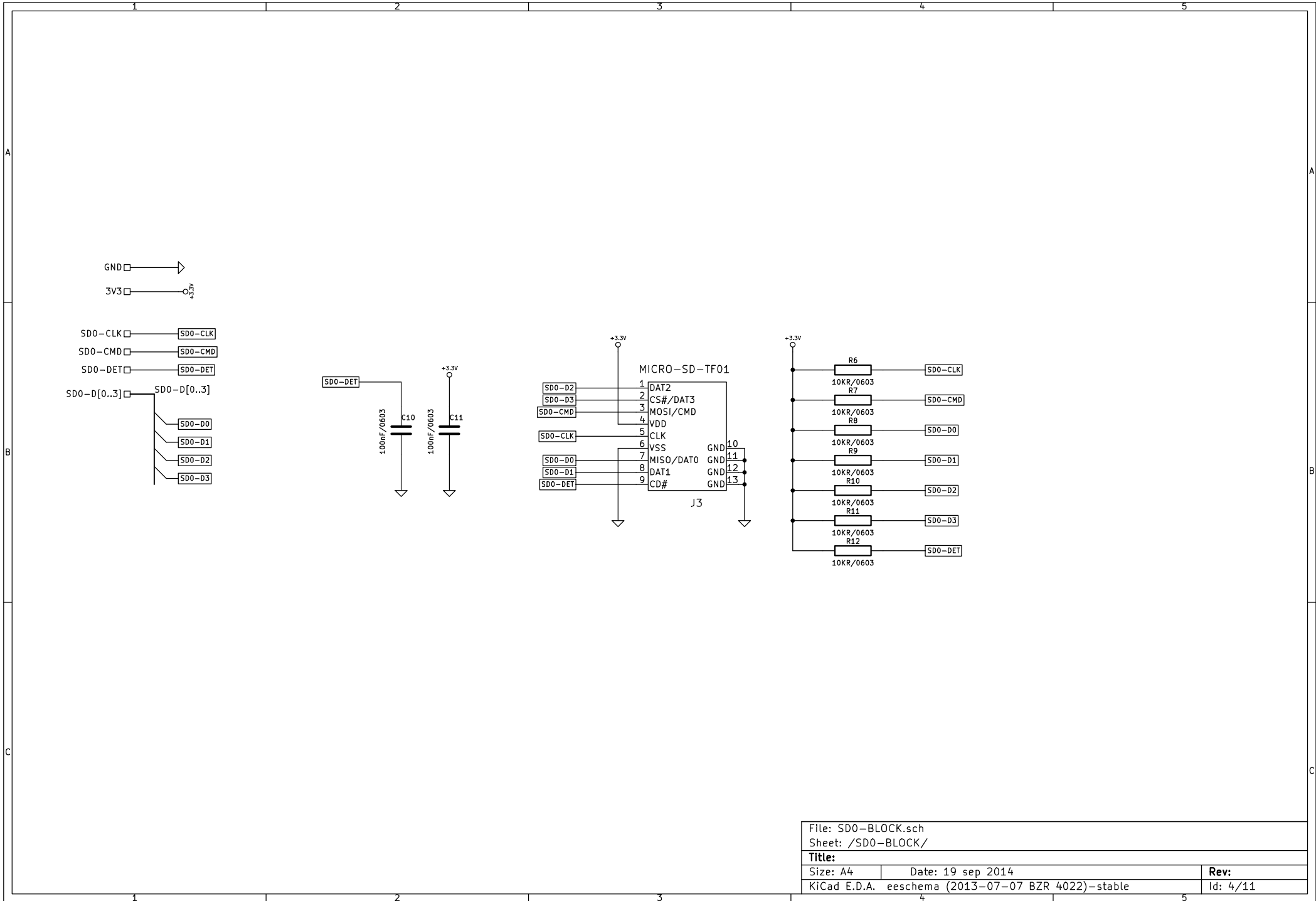
5V SATA POWER SUPPLY



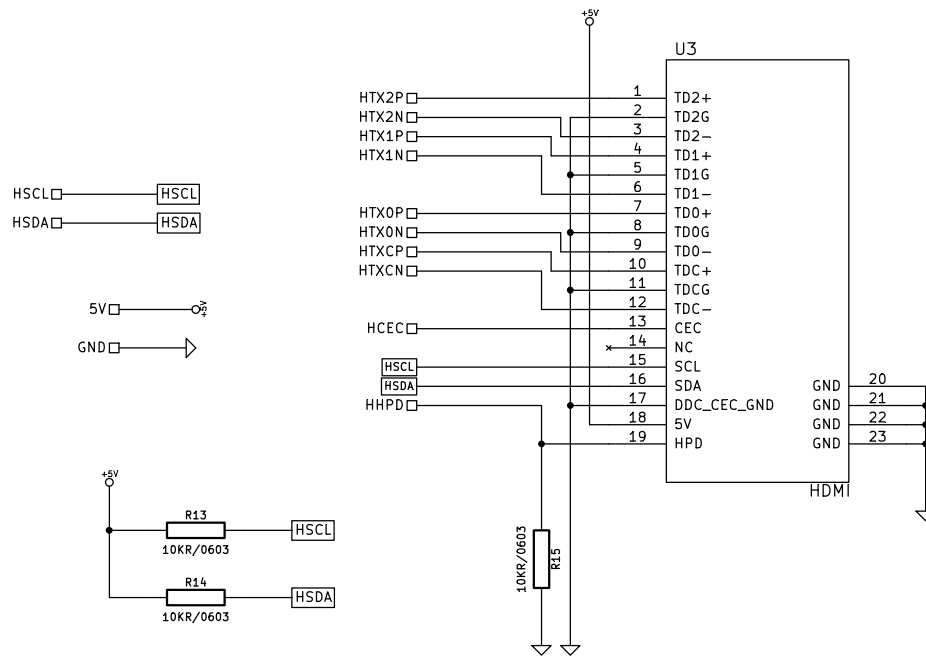
POWER SUPPLY



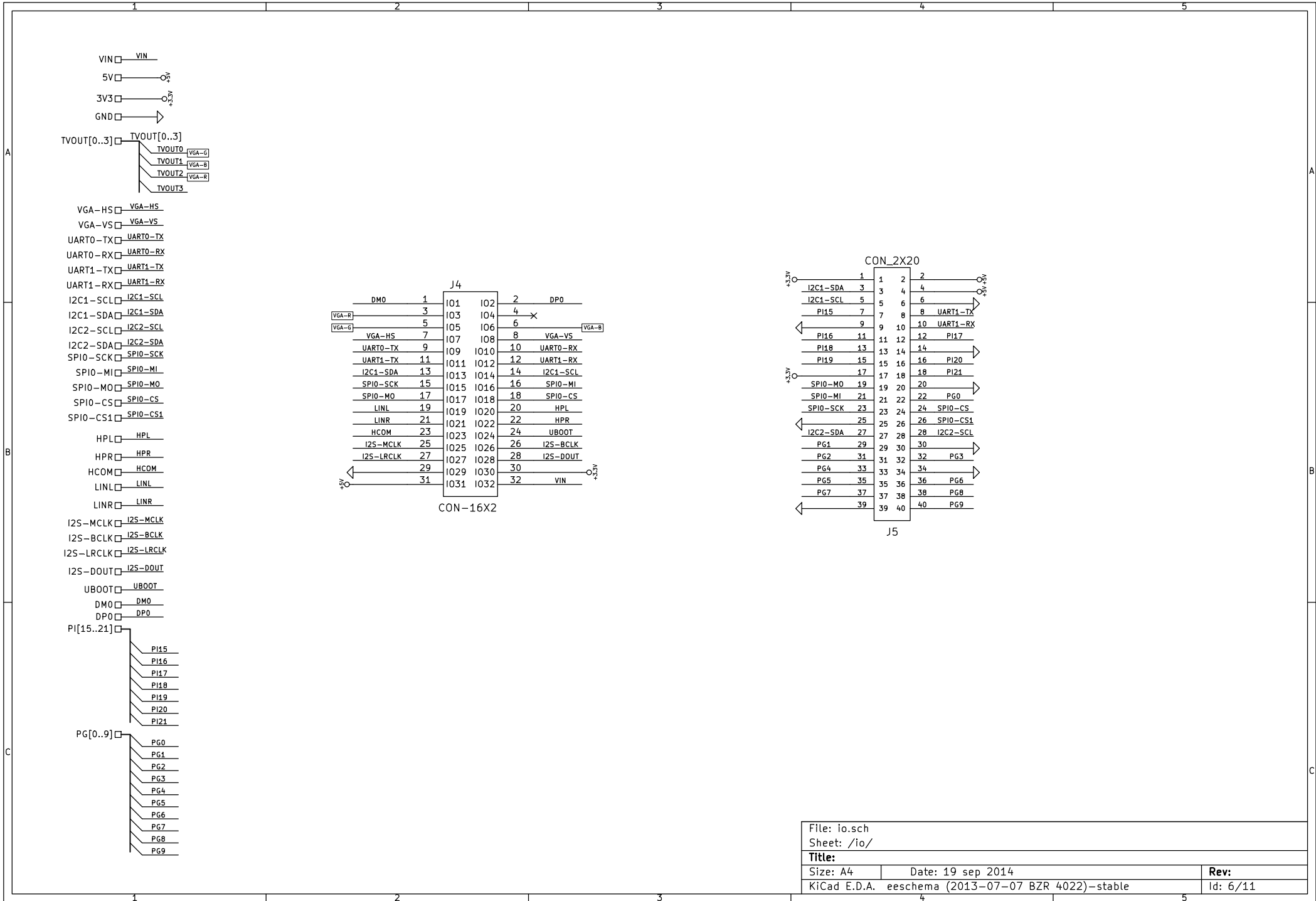
File: power.sch		Sheet: /power/	
Title:			
Size: A4	Date: 19 sep 2014		Rev:
KiCad E.D.A. eeschema (2013-07-07 BZR 4022)-stable			Id: 3/11



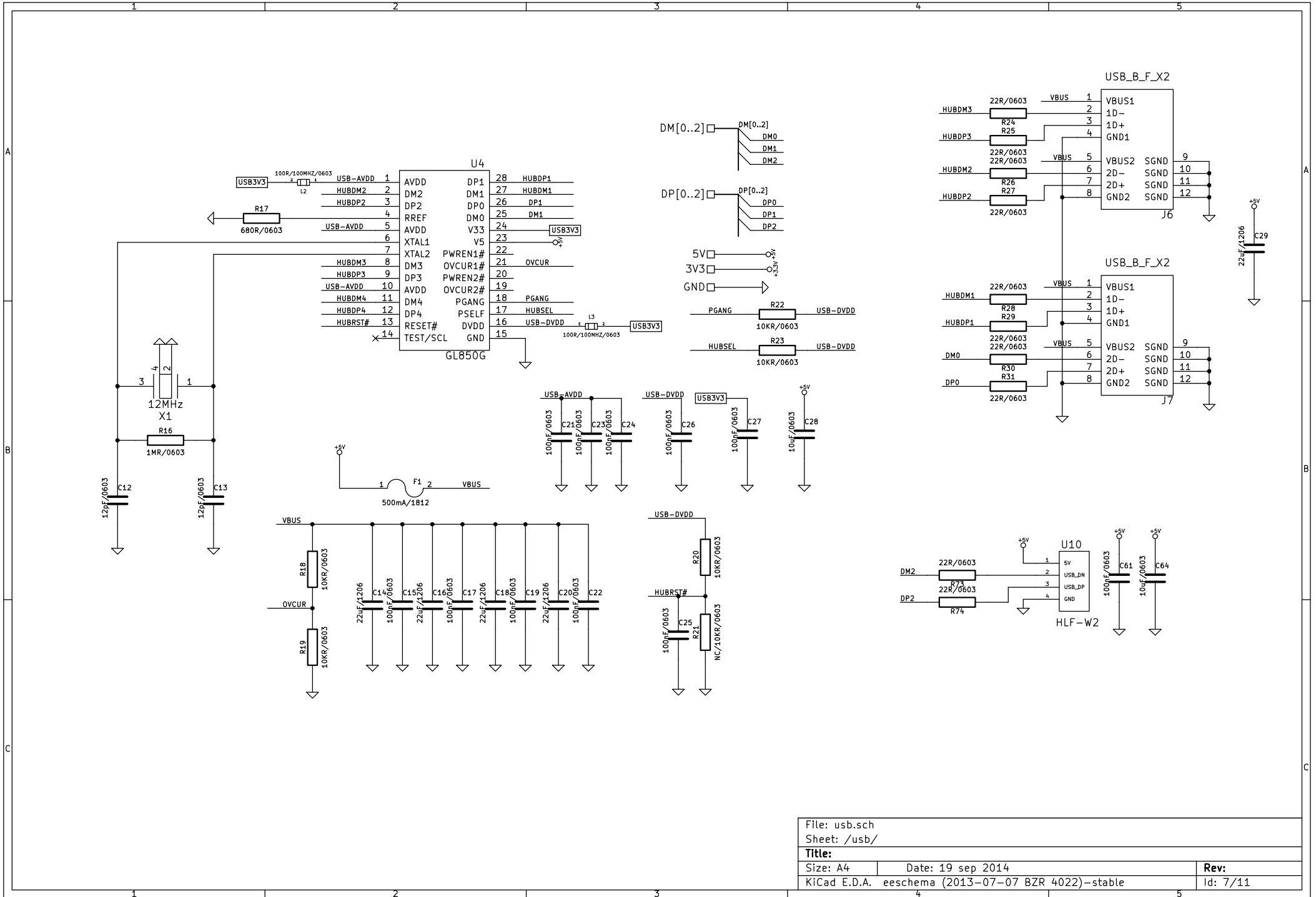
File: SDO-BLOCK.sch		
Sheet: /SD0-BLOCK/		
Title:		
Size: A4	Date: 19 sep 2014	Rev:
KiCad E.D.A. eeschema (2013-07-07 BZR 4022)-stable		Id: 4/11



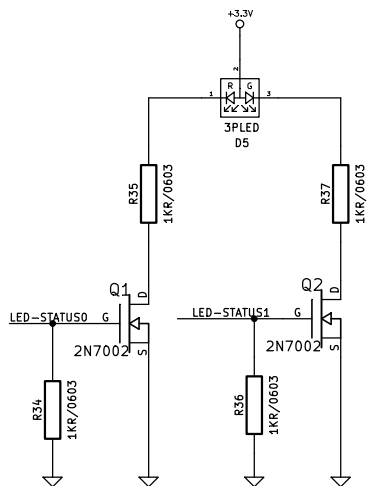
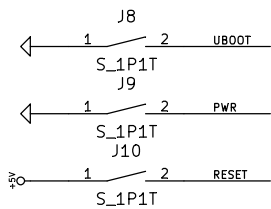
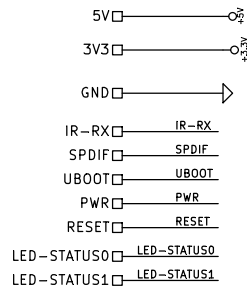
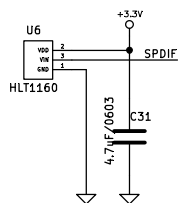
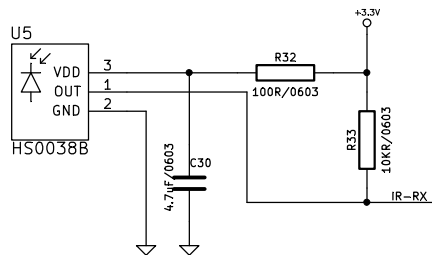
File: hdmi.sch		
Sheet: /hdmi/		
Title:		
Size: A4	Date: 19 sep 2014	Rev:
KiCad E.D.A. eeschema (2013-07-07 BZR 4022)-stable		Id: 5/11



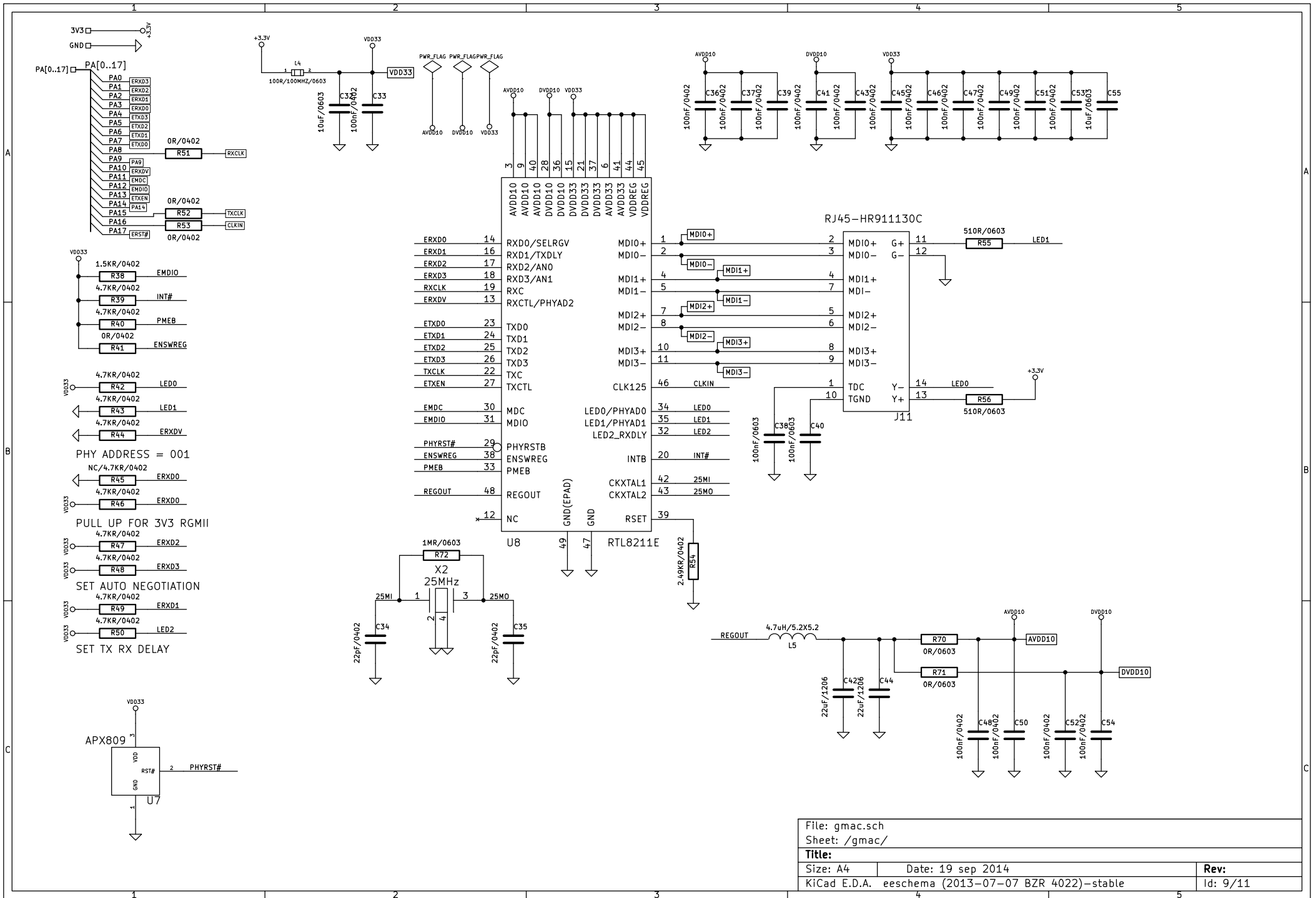
File: io.sch		
Sheet: /io/		
Title:		
Size: A4	Date: 19 sep 2014	Rev:
KiCad E.D.A. eeschema (2013-07-07 BZR 4022)-stable		Id: 6/11



File: usb.sch	
Sheet: /usb/	
Title:	
Size: A4	Date: 19 sep 2014
KiCad E.D.A. eschema (2013-07-07 BZR 4022)-stable	
Rev:	
Id: 7/11	

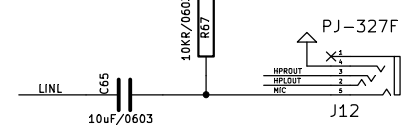
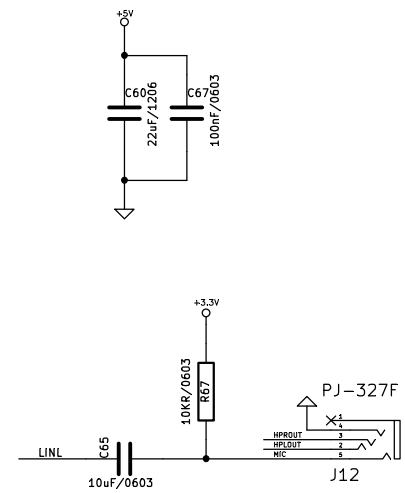
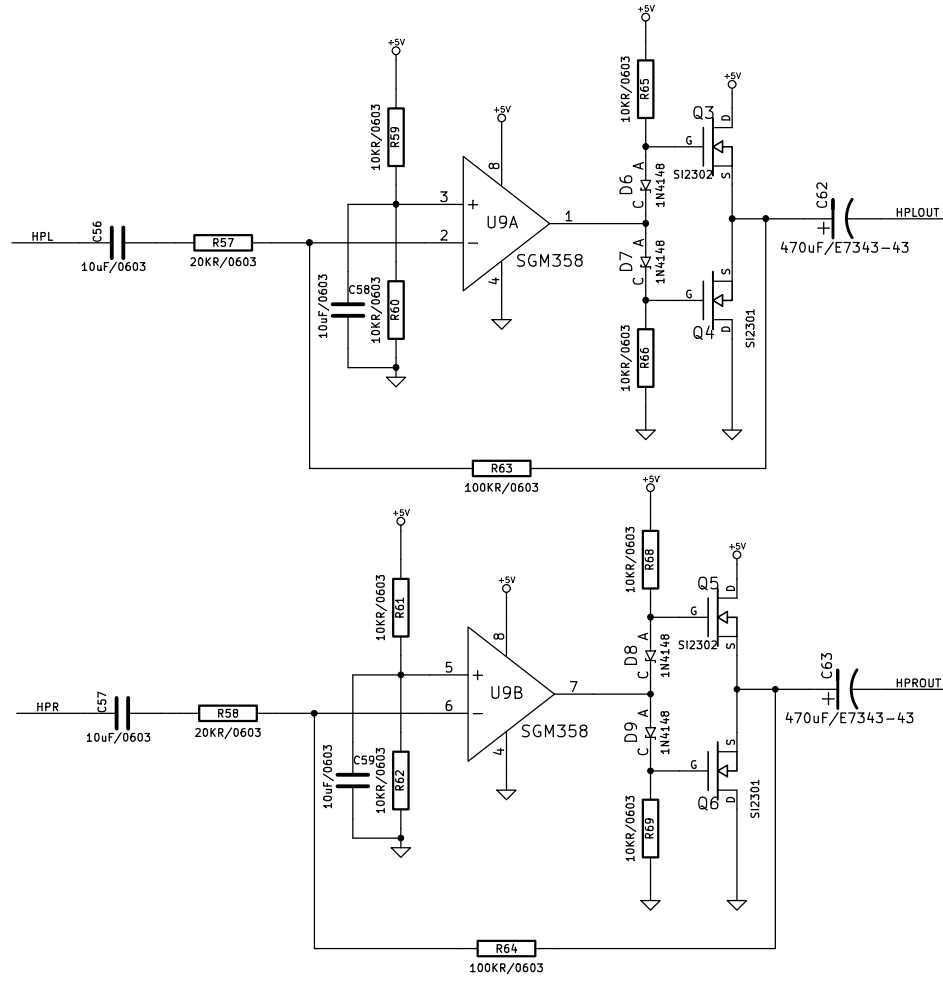


File: extention.sch		
Sheet: /extention/		
Title:		
Size: A4	Date: 19 sep 2014	Rev:
KiCad E.D.A. eeschema (2013-07-07 BZR 4022)-stable		Id: 8/11



File: gmac.sch
 Sheet: /gmac/
Title:
 Size: A4 Date: 19 sep 2014
 KiCad E.D.A. eschema (2013-07-07 BZR 4022)-stable Rev:
 Id: 9/11

- 5V \rightarrow 5V
- 3V3 \rightarrow 3.3V
- GND \rightarrow GND
- HPL HPL
- HPR HPR
- LINL LINL
- LINR LINR



File: speaker&mic.sch		
Sheet: /speaker&mic/		
Title:		
Size: A4	Date: 19 sep 2014	Rev:
KiCad E.D.A. eschema (2013-07-07 BZR 4022)-stable		Id: 10/11

