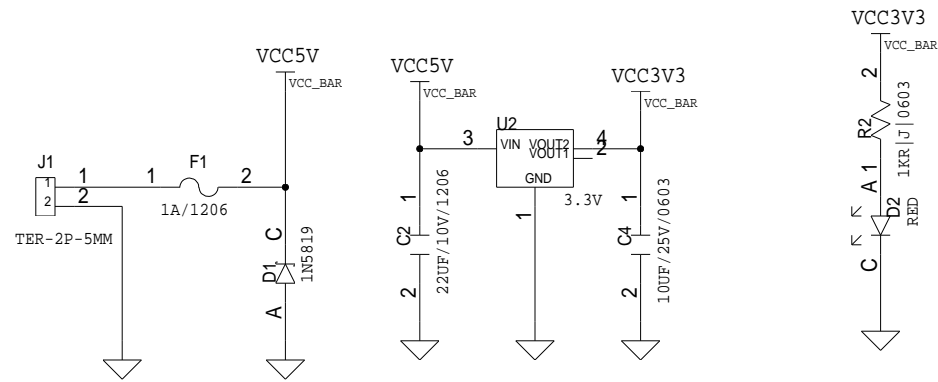
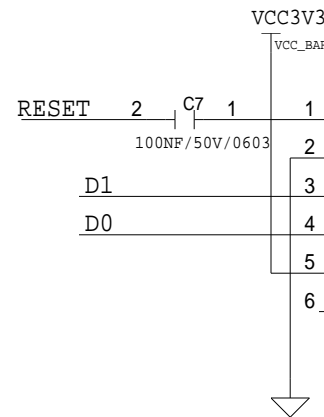


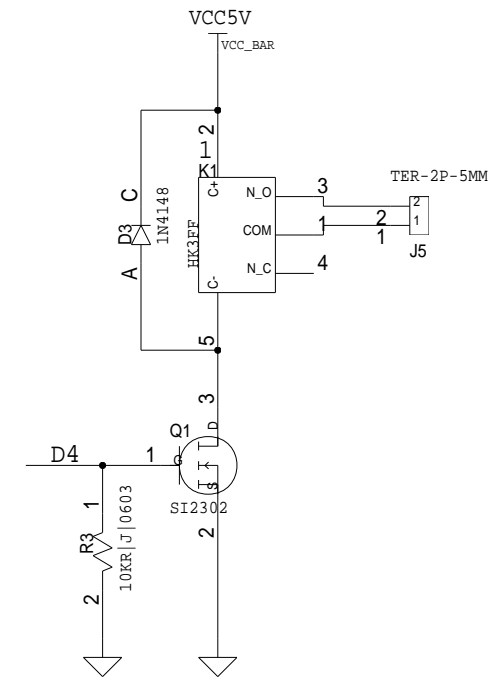
POWER SUPPLY



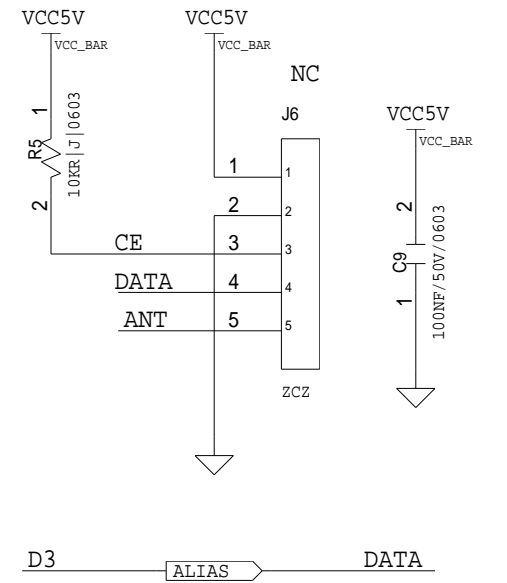
FOCA SOCKET



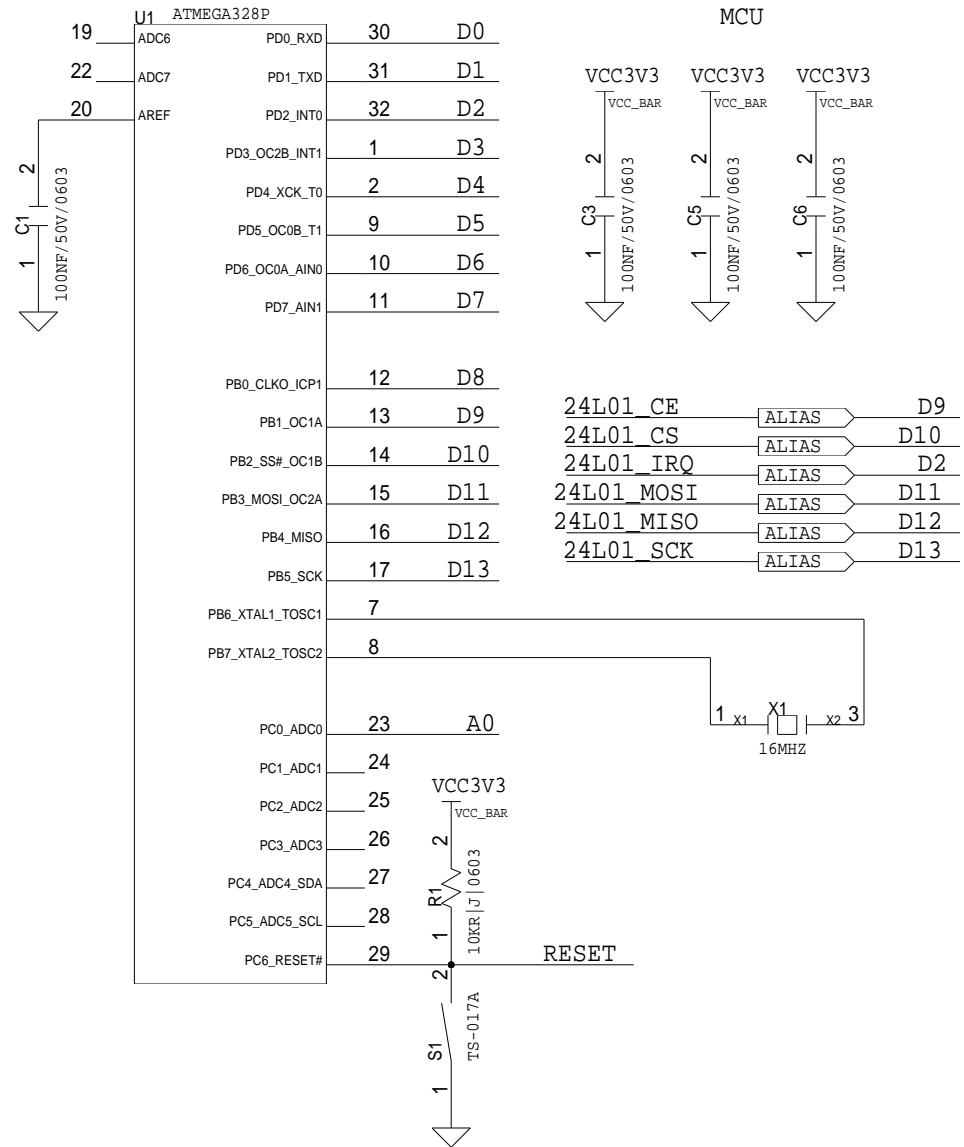
RELAY



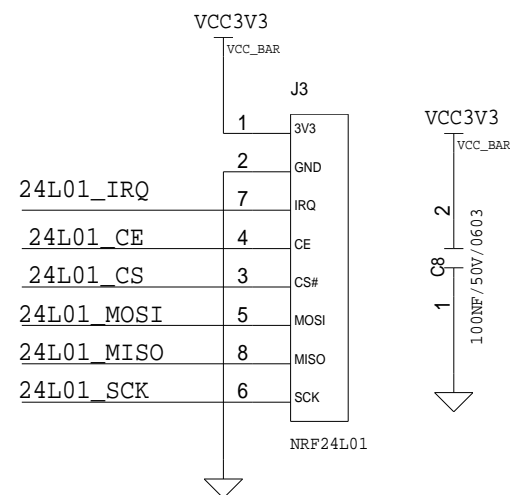
J05E 433MHZ RX MODULE



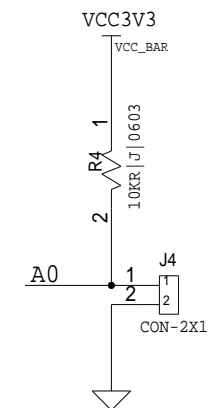
VDD=VCC3V3; AVCC=VCC3V3



NRF24L01 SOCKET



JUMPER FOR FURTHER DEVELOPMENT



TITLE:	DATE:
ENGINEER:	PAGE: