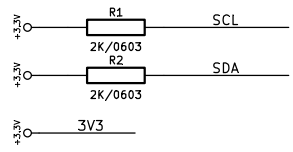
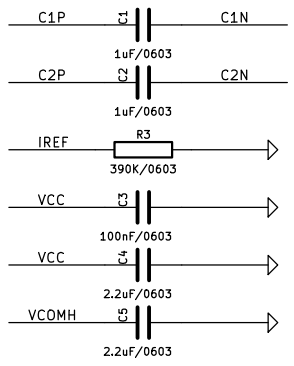
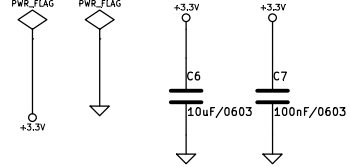
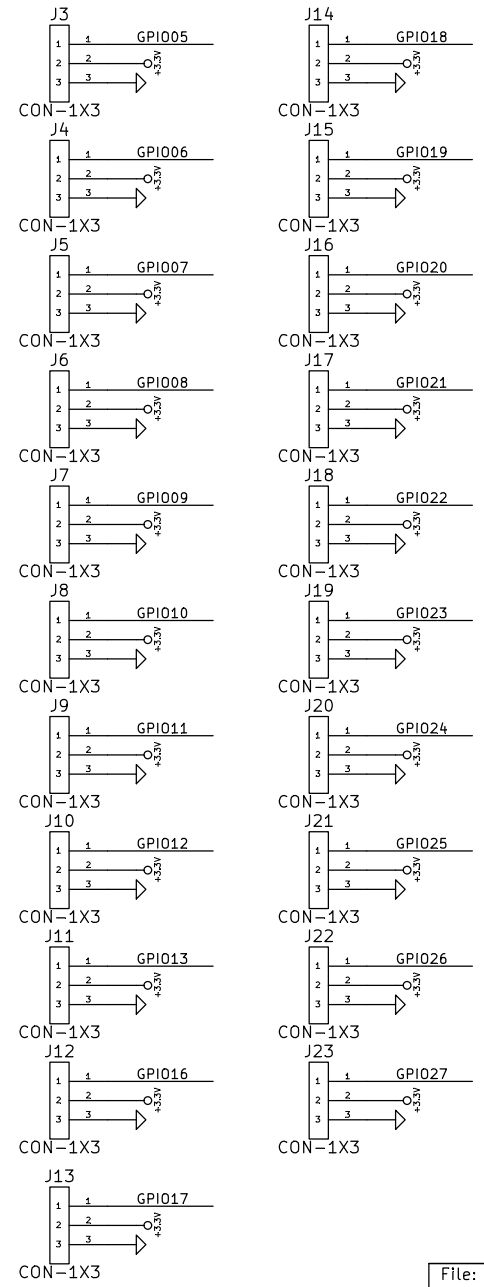
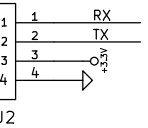
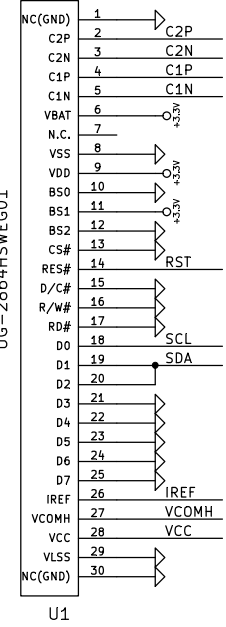


CON-2X20



UG-2864HSWEG01



File: RPI OLED Add-on.sch		
Sheet: /		
Title:		
Size: A4	Date: 24 jun 2015	Rev:
KiCad E.D.A. eschema (2013-07-07 BZR 4022)-stable		Id: 1/1