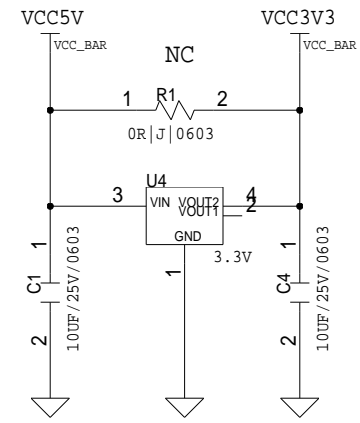
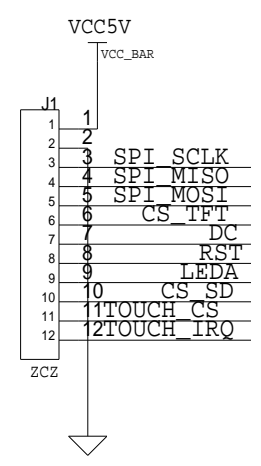


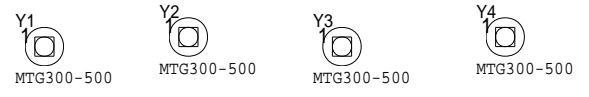
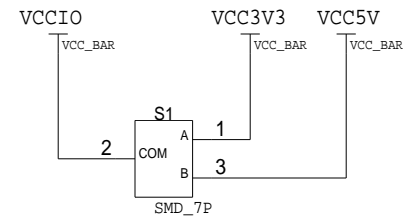
D

PLEASE SOLDER OR RESISTOR ON R1,  
WHEN YOU WANT TO USE 3.3V FROM OUTSIDE

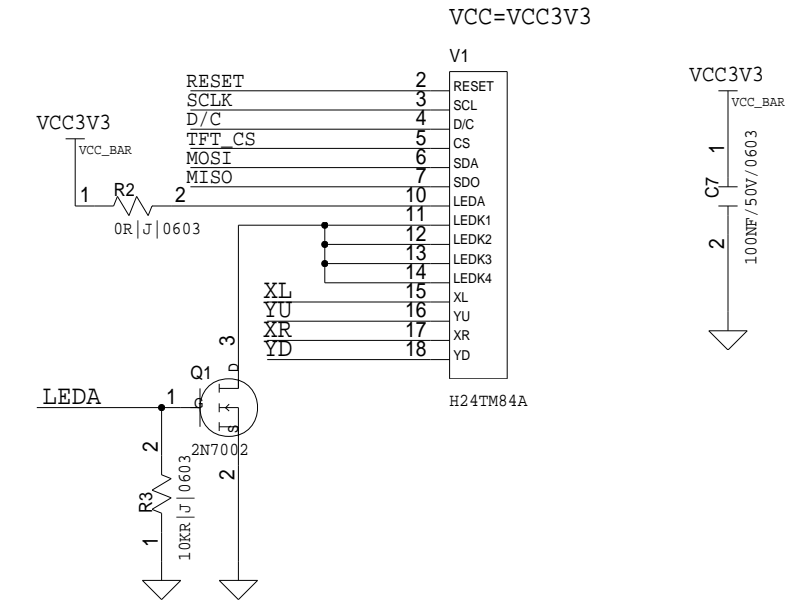
INTERFACE



COMPATIBLE WITH 5V AND 3.3V MAINBOARD



TFT SOCKET



BACKLIGHT CONTROL (CONTROLLED BY IO OR PWM)

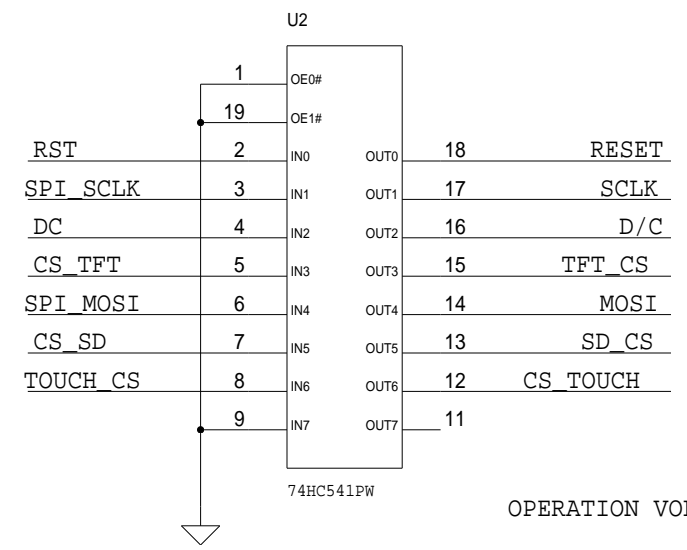
C

D

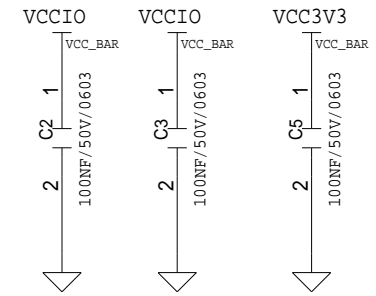
C

B

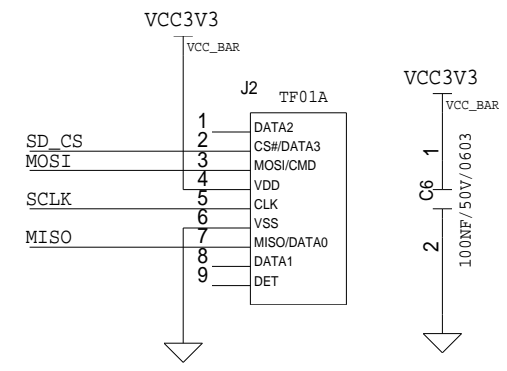
VCC=VCC3V3



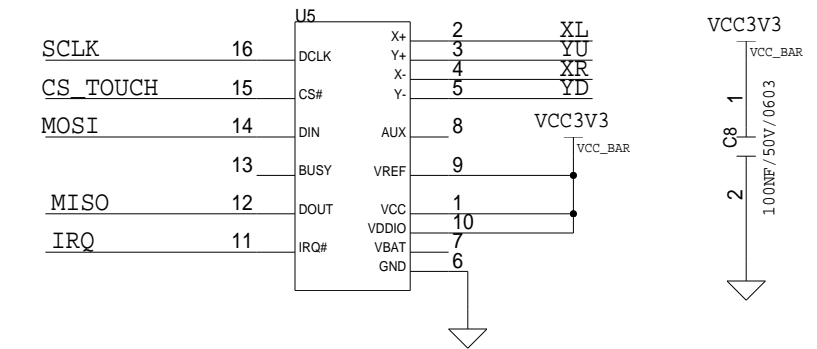
OPERATION VOLTAGE SWITCHING CIRCUIT



MICRO SD CARD SOCKET



TOUCH FUNCTION



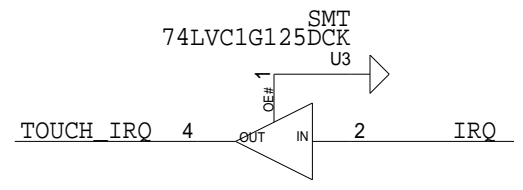
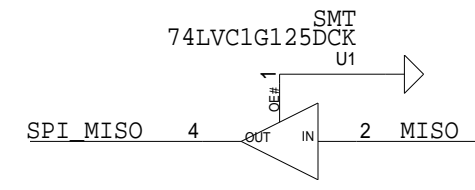
A

B

A

VCC=VCCIO

VCC=VCCIO



TITLE:	DATE:
ENGINEER:	PAGE: