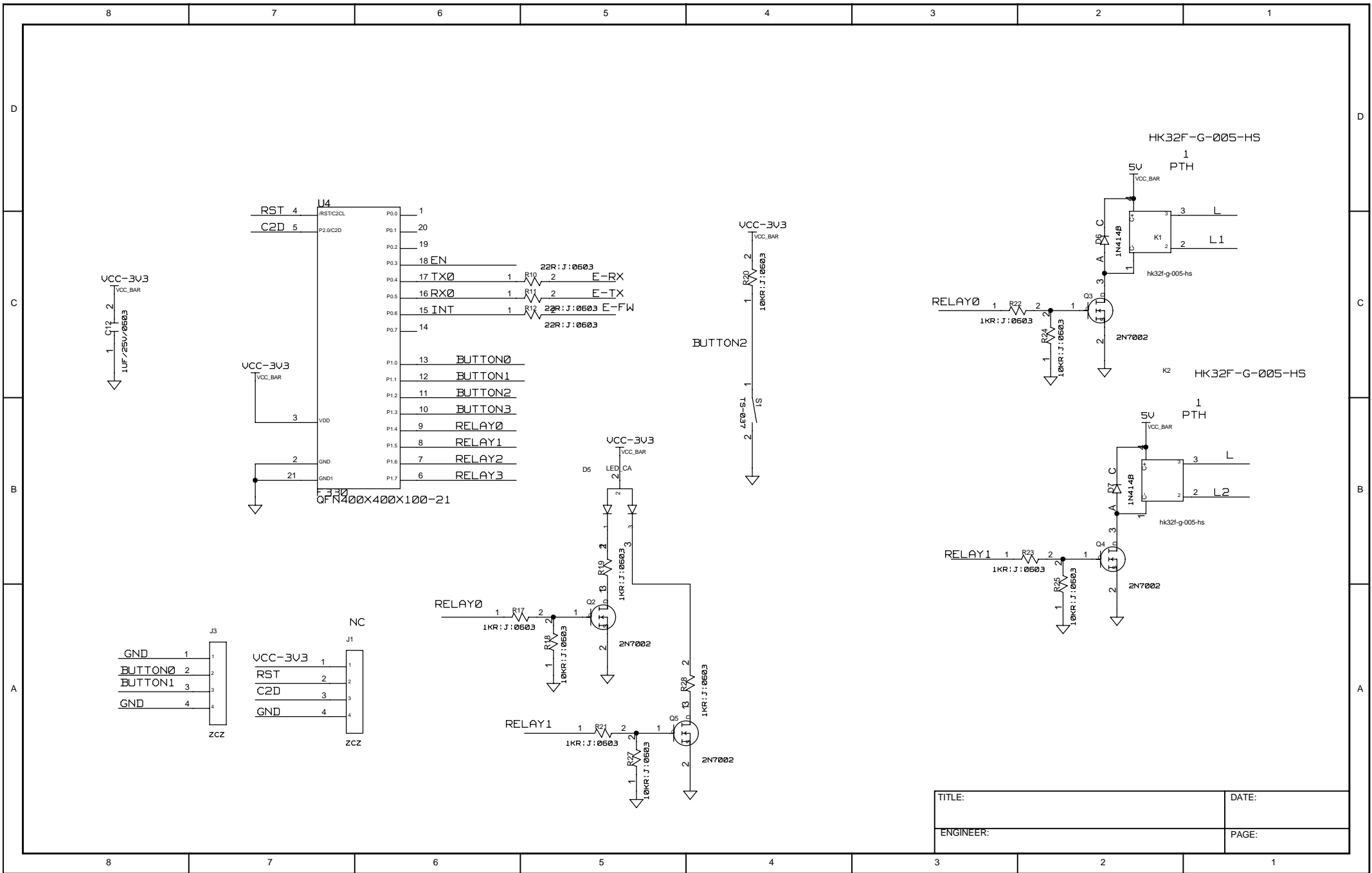
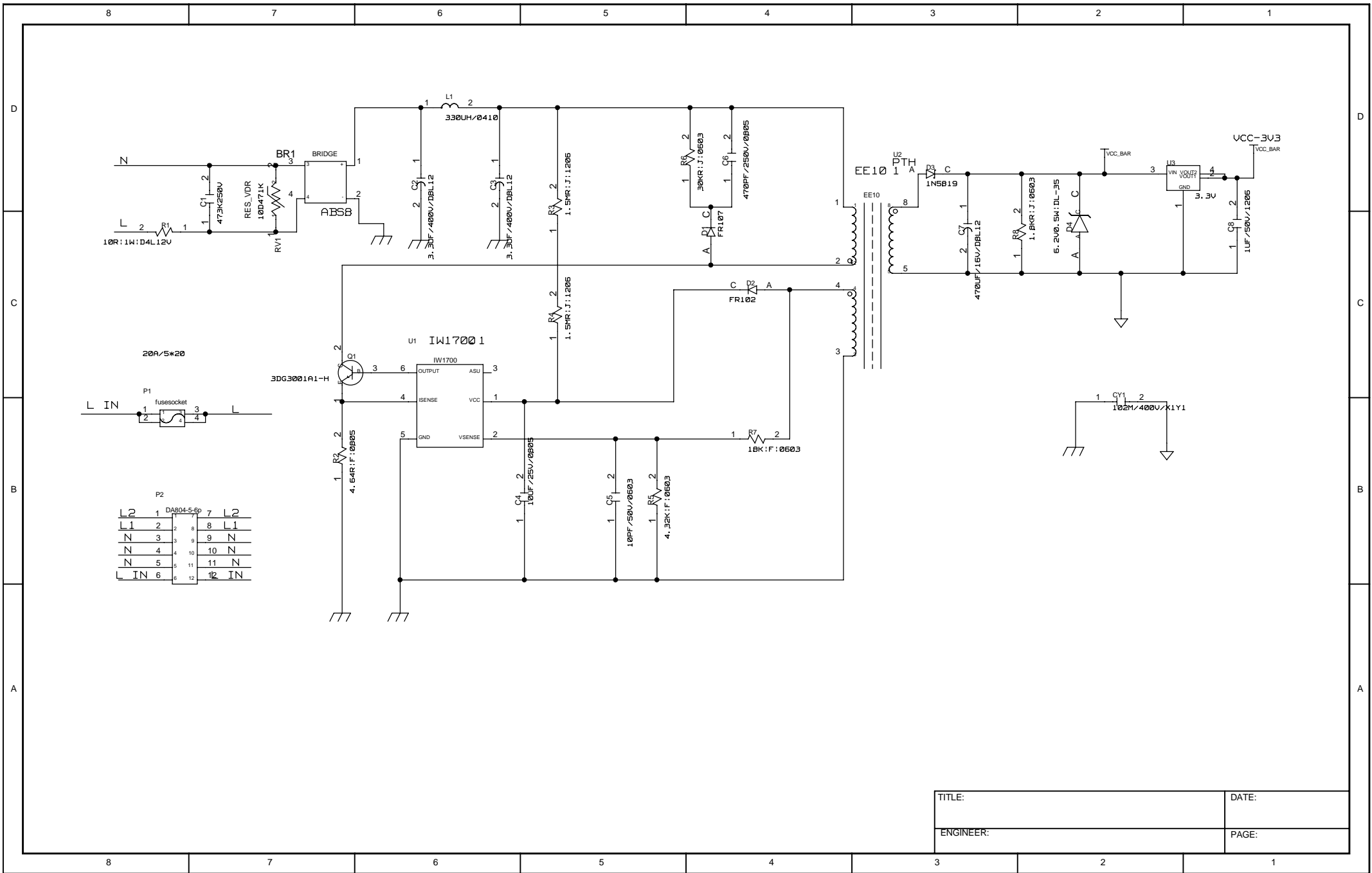


SET GPIO0 LOW
TO ENTER FW MODE

TITLE:	DATE:
ENGINEER:	PAGE:



TITLE:	DATE:
ENGINEER:	PAGE:



TITLE:	DATE:
ENGINEER:	PAGE: