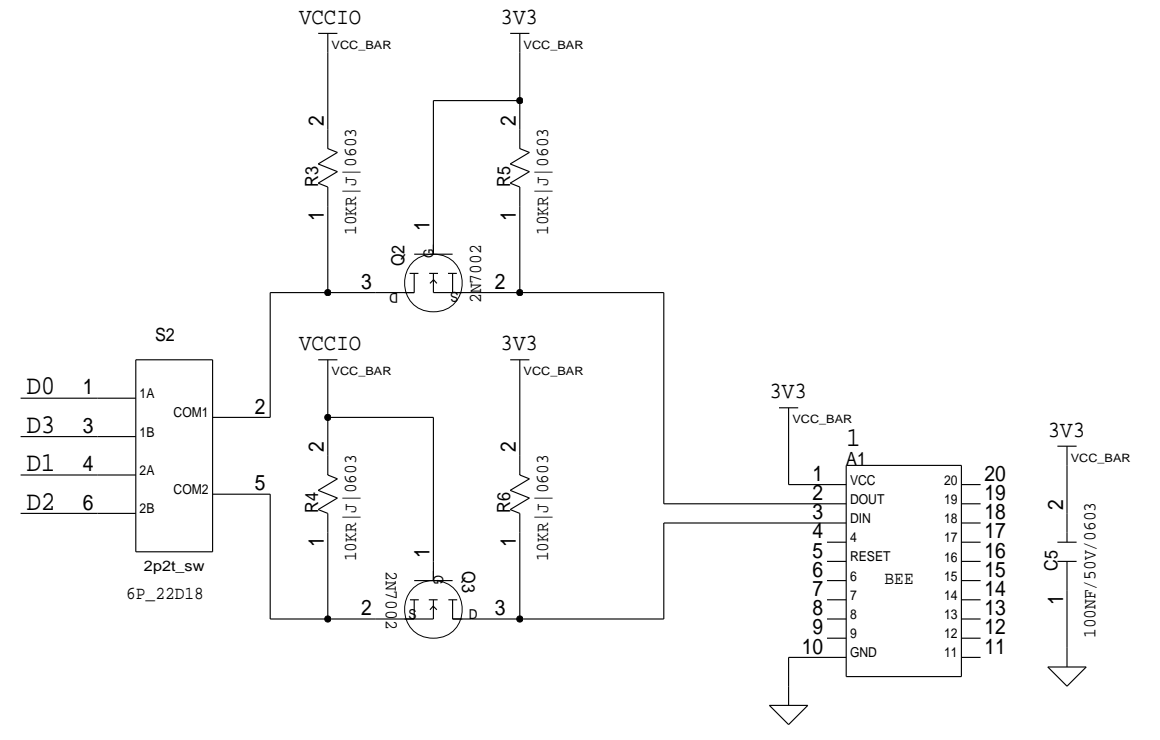
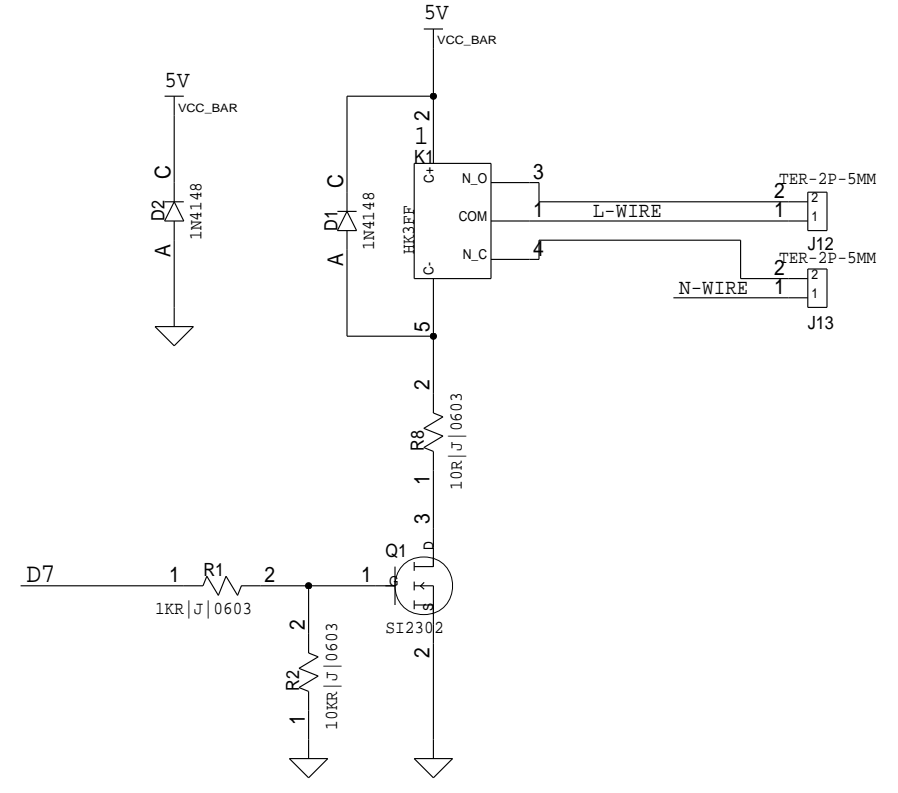
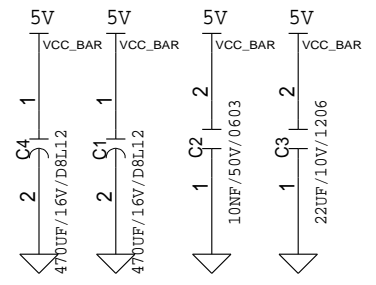
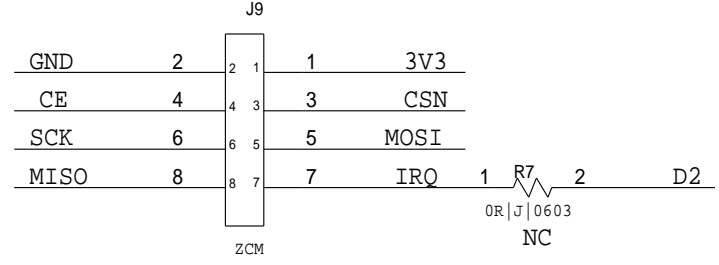
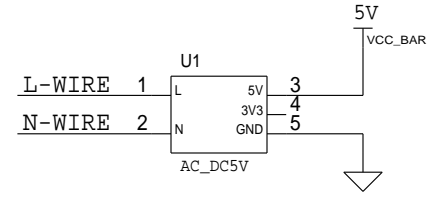
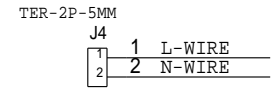
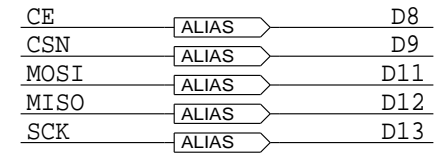
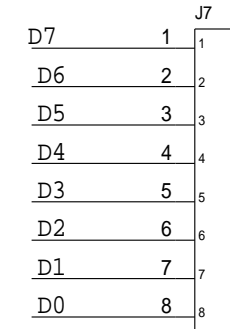
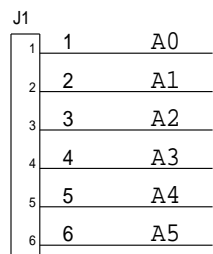
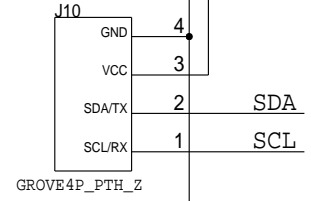
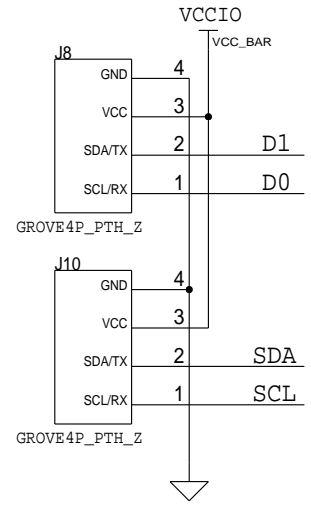
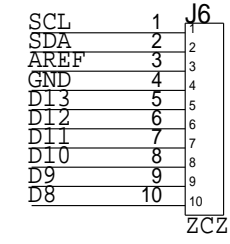
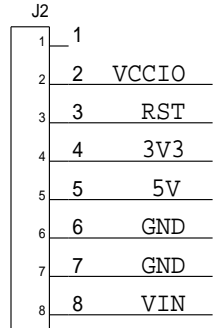


D



B

A

TITLE:	DATE:
ENGINEER:	PAGE: