

8 7 6 5 4 3 2 1

D

D

C

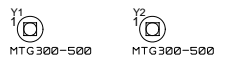
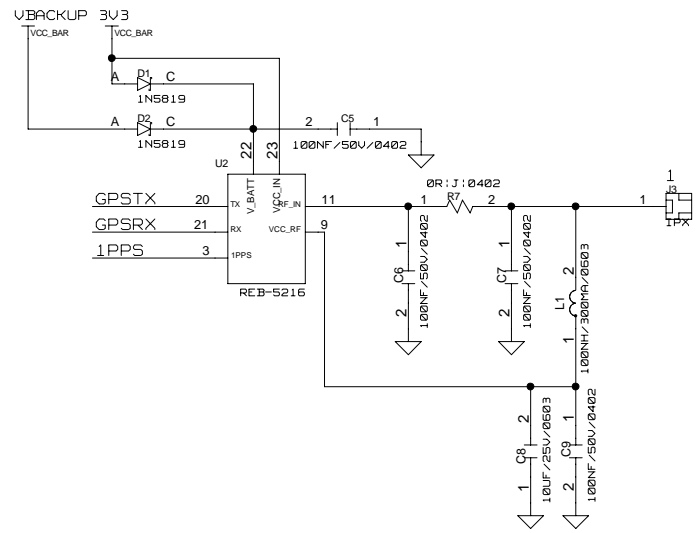
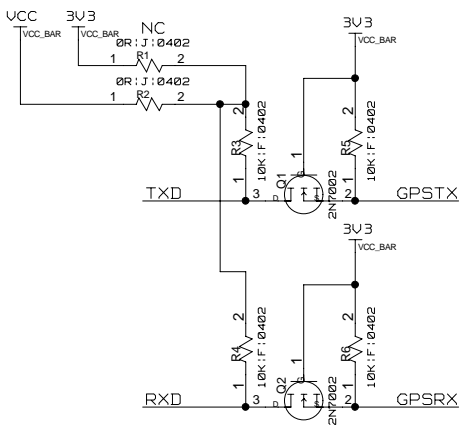
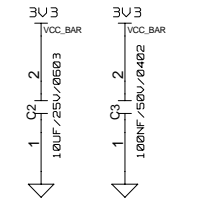
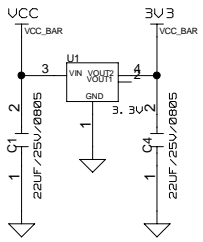
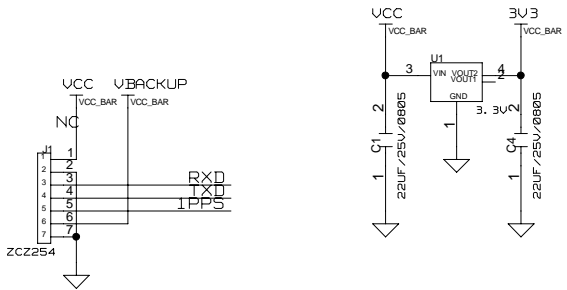
C

B

B

A

A



TITLE:	DATE:
ENGINEER:	PAGE:

8 7 6 5 4 3 2 1